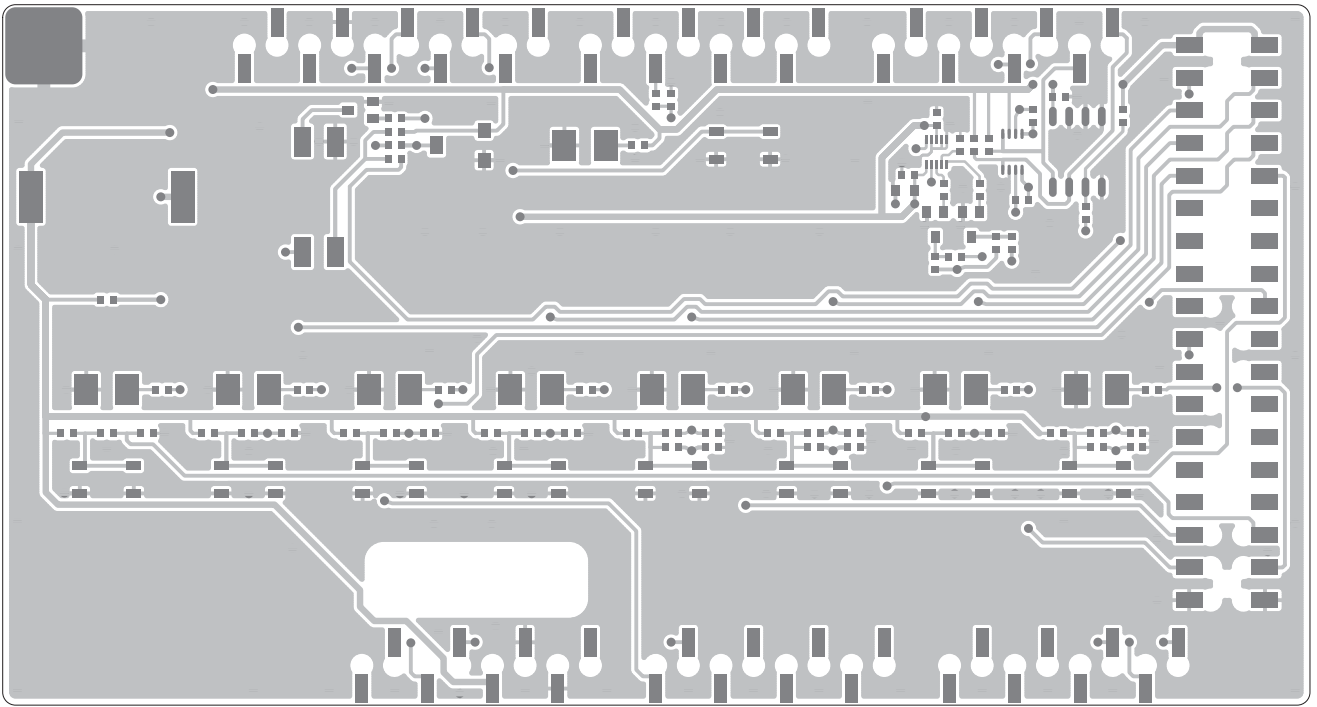


mm 10 20 30 40 50 60 70 80 90 100



Lerbakken 10
DK-8410 Rønne
Denmark

Drawing Name

5824-1-V3R0-LA1

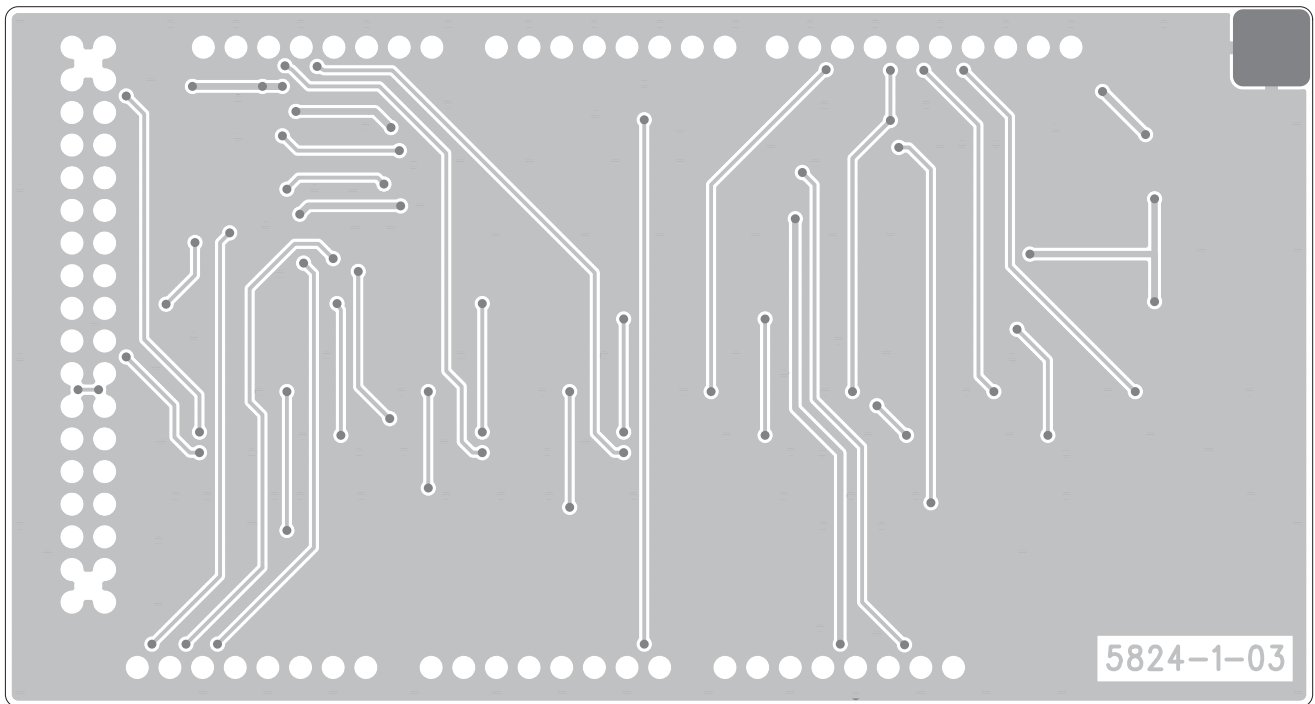
Drawing Type

Layout on layer 1 of 2


Copyright PR electronics A/S. All rights reserved. Reproduction without the written permission of PR electronics A/S is strictly forbidden. Confidential and proprietary information is contained within and must be handled accordingly.

Version	Date	PCB	Schematic	Design	Responsible
Current	2018-04-16	5824-1-03	5824-1-V3R0	RC	BSK
Previous	2016-05-03	5824-1-02	5824-1-V2R0	RC	BSK

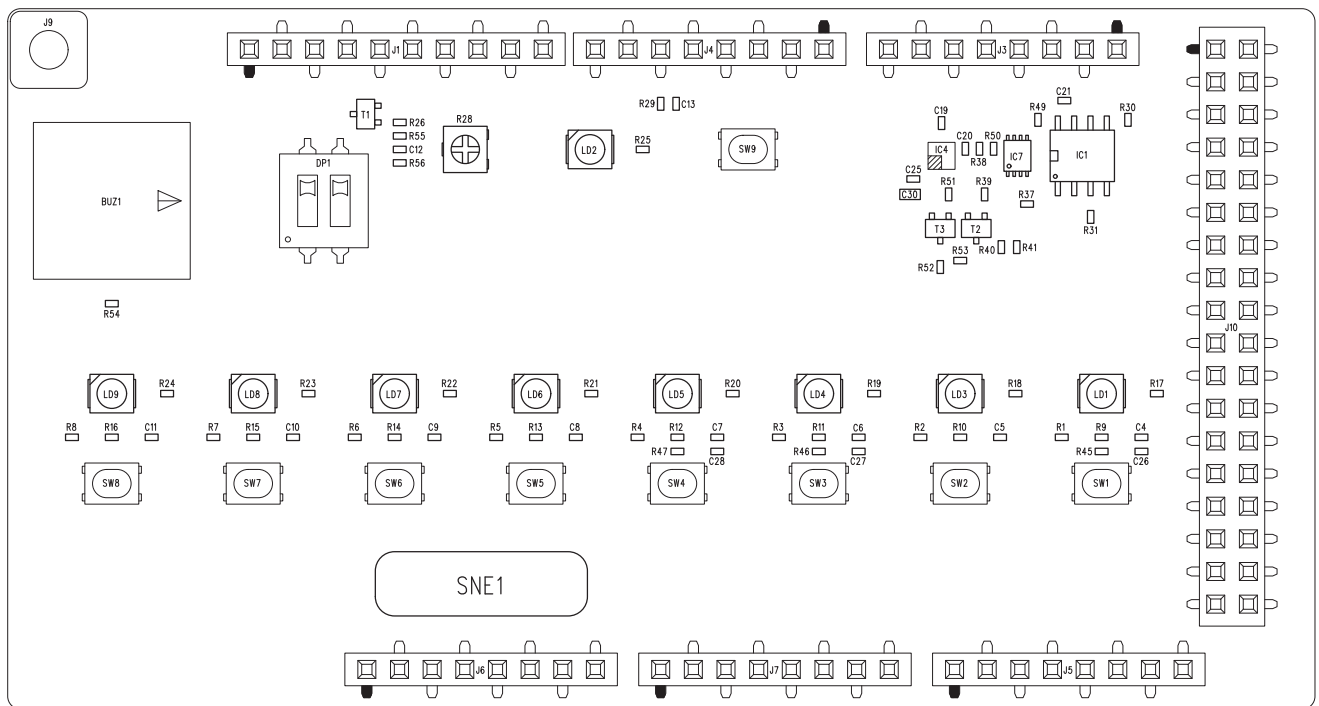
mm 10 20 30 40 50 60 70 80 90 100



+

	Lerbakken 10 DK-8410 Rønne Denmark	Drawing Name	5824-1-V3R0-LA2			
		Drawing Type	Layout on layer 2 of 2			
Copyright PR electronics A/S. All rights reserved. Reproduction without the written permission of PR electronics A/S is strictly forbidden. Confidential and proprietary information is contained within and must be handled accordingly.						
Version	Date	PCB	Schematic	Design	Responsible	
Current	2018-04-16	5824-1-03	5824-1-V3R0	RC	BSK	
Previous	2016-05-03	5824-1-02	5824-1-V2R0	RC	BSK	

mm 10 20 30 40 50 60 70 80 90 100



Lerbakken 10
DK-8410 Rønede
Denmark

Drawing Name

5824-1-V3R0-CPT

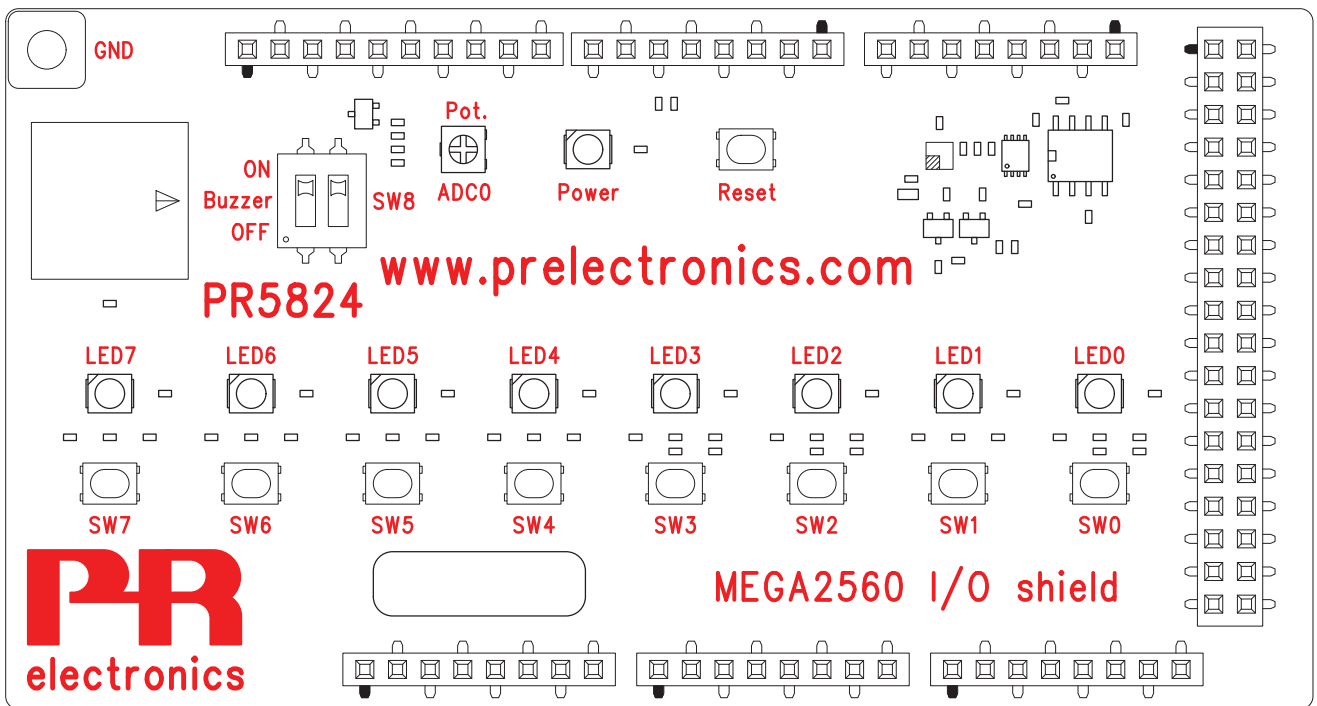
Drawing Type

Components on Top side (layer 1)

Copyright PR electronics A/S. All rights reserved. Reproduction without the written permission of PR electronics A/S is strictly forbidden. Confidential and proprietary information is contained within and must be handled accordingly.

Version	Date	PCB	Schematic	Design	Responsible
Current	2018-04-16	5824-1-03	5824-1-V3R0	RC	BSK
Previous	2016-05-03	5824-1-02	5824-1-V2R0	RC	BSK

mm 10 20 30 40 50 60 70 80 90 100



Lerbakken 10
DK-8410 Rønede
Denmark

Drawing Name

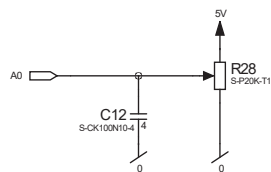
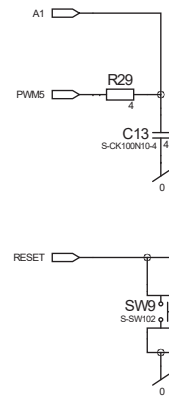
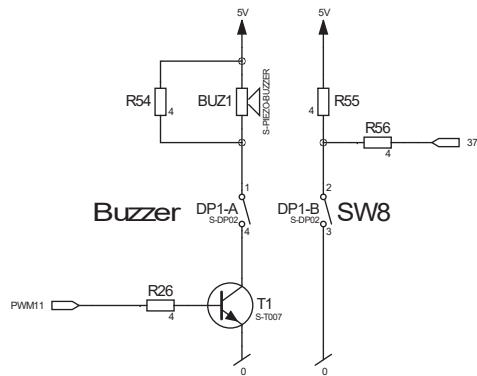
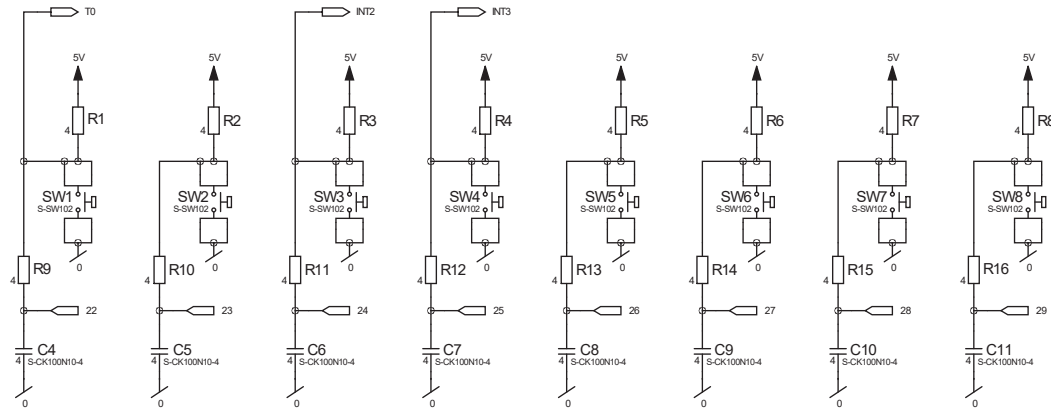
5824-1-V3R0-CNT

Drawing Type

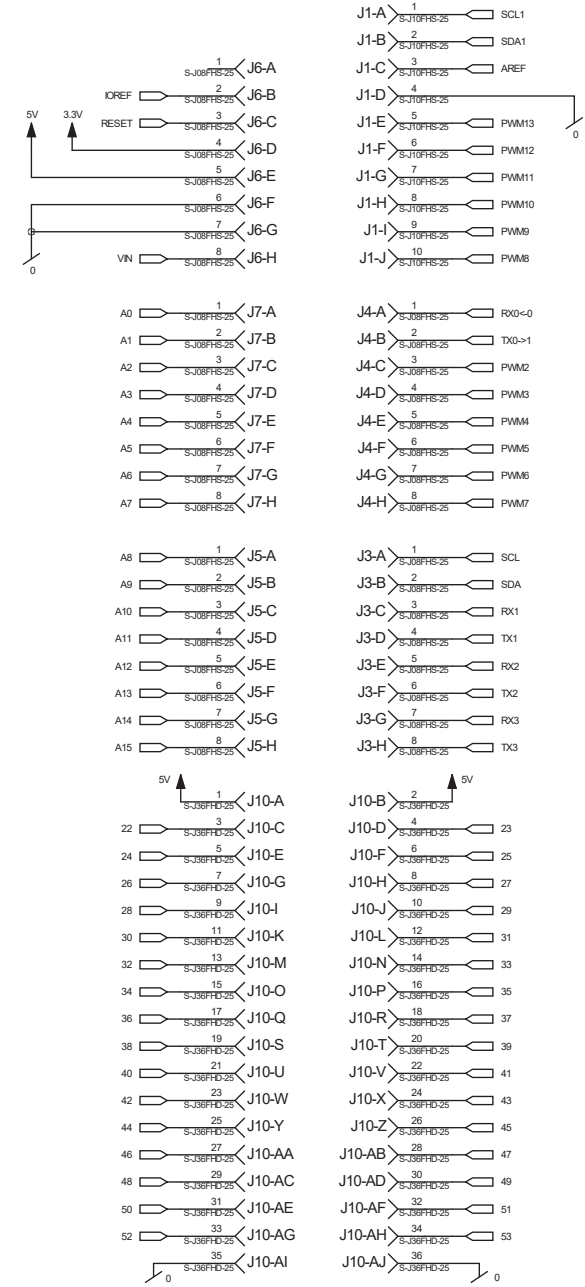
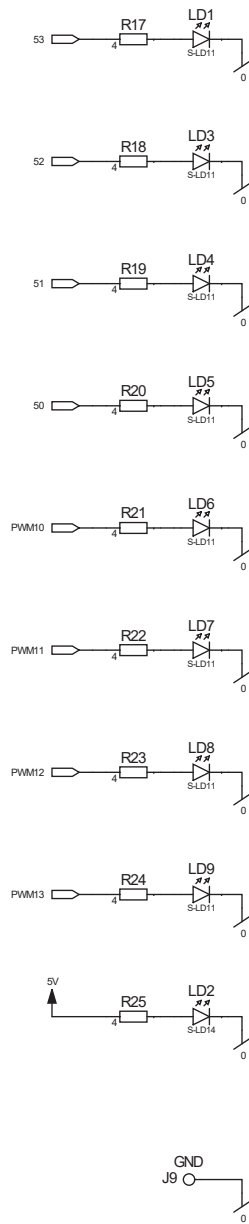
Component Notation Top side (layer 1)

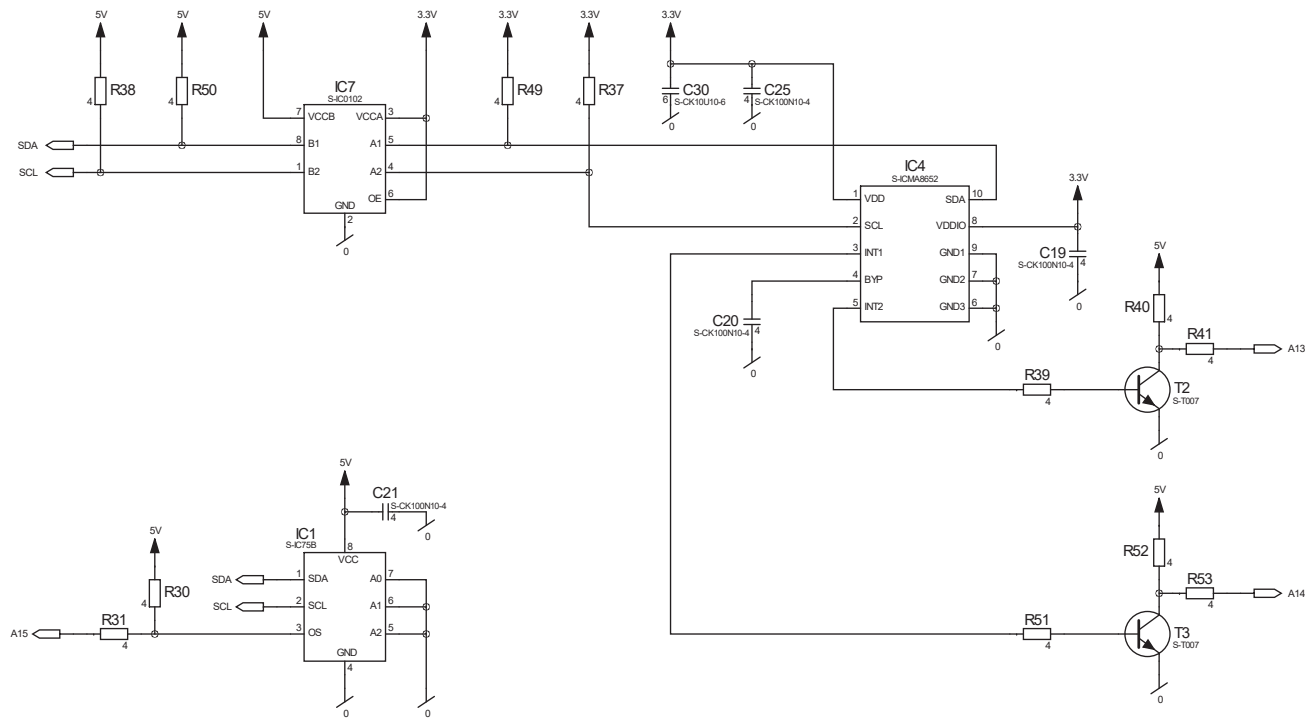
Copyright PR electronics A/S. All rights reserved. Reproduction without the written permission of PR electronics A/S is strictly forbidden. Confidential and proprietary information is contained within and must be handled accordingly.

Version	Date	PCB	Schematic	Design	Responsible
Current	2018-04-16	5824-1-03	5824-1-V3R0	RC	BSK
Previous	2016-05-03	5824-1-02	5824-1-V2R0	RC	BSK

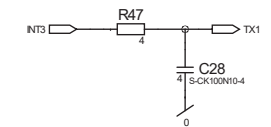
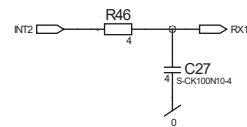
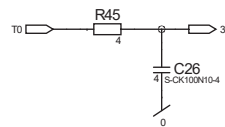


Symbol-table	
u	= Micro MELF
m	= Mini MELF
M	= MELF
4	= 0402 Chip
6	= 0603 Chip
8	= 0805 Chip
12	= 1206 Chip
1W	= 1W SMD
L	= Leaded





Symbol-table	
u	= Micro MELF
m	= Mini MELF
M	= MELF
4	= 0402 Chip
6	= 0603 Chip
8	= 0805 Chip
12	= 1206 Chip
1W	= 1W SMD
L	= Leaded



Lerbakken 10
DK-8410 Rønde
Denmark

Schematic: **5824-1-V3R0-SH2**
Title: **Arduino Shield**

Sheet:
2 of 2

Copyright PR electronics A/S. All rights reserved.
Reproduction without the written permission
of PR electronics A/S is strictly forbidden.
Confidential and proprietary information is
contained within and must be handled accordingly.

Version	Date	Schematic	PCB	Design	Responsible
Current	2018-04-16	5824-1-V3R0	5824-1-03	RC	BSK
Previous	2016-05-03	5824-1-V2R0	5824-1-02	RC	BSK